

Flush Mount Box

Model: INTIPRDSVW-FMA



Product Features

- Metal flush mount box for use with INTIPRDSVW
- 125 x 135 x 56mm
- Weight: 0.8 kg

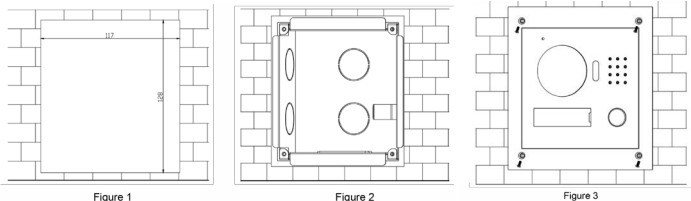
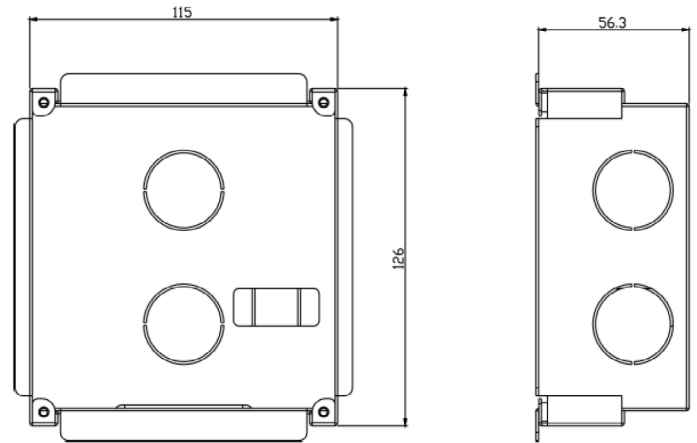


Figure 1

Figure 2

Figure 3

Weather Shield Surface Mount Box

Model: INTIPRDSVW-RS



Product Features

- Metal weather shield and surface mount box for use with INTIPRDSVW
- Size: 145 x 134 x 88mm
- Weight: 1 kg

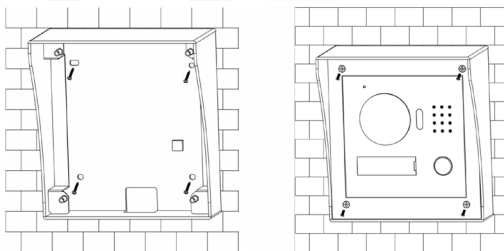
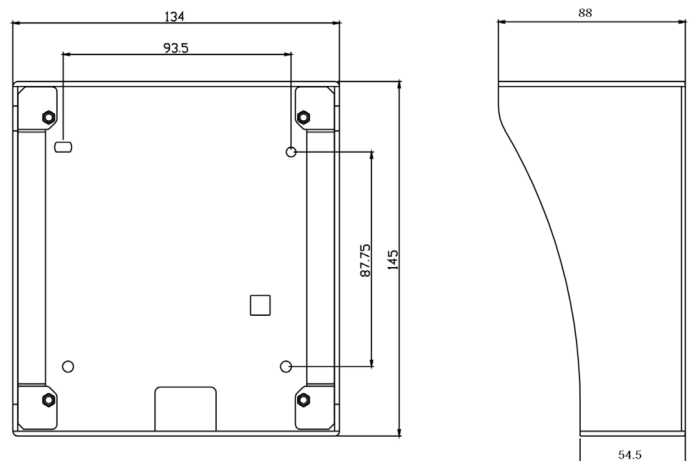


Figure 1

Figure 2